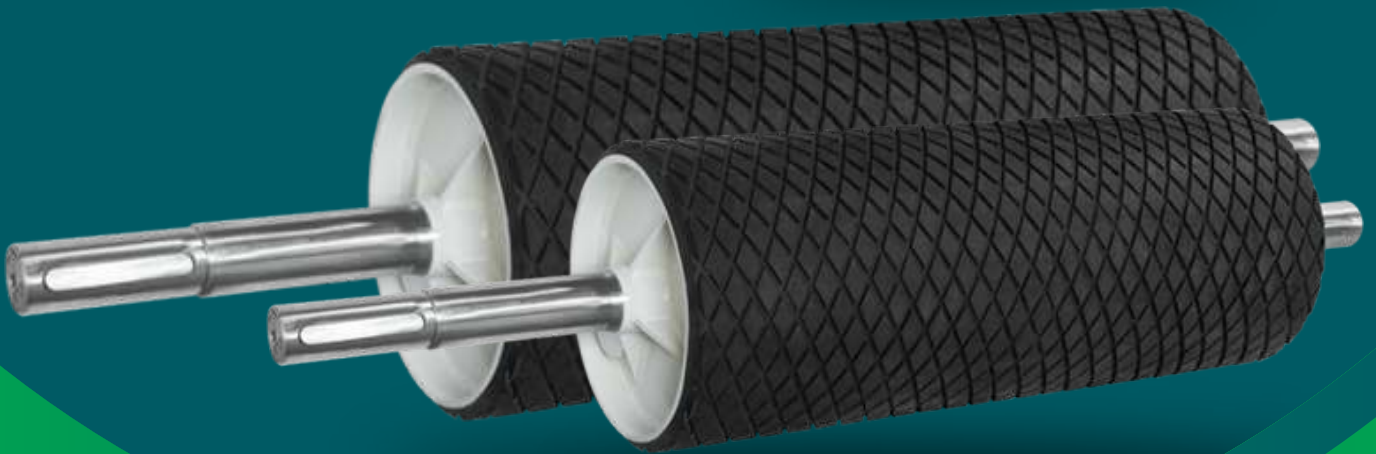




OPEL

The Power of Partnership



Conveyor Components

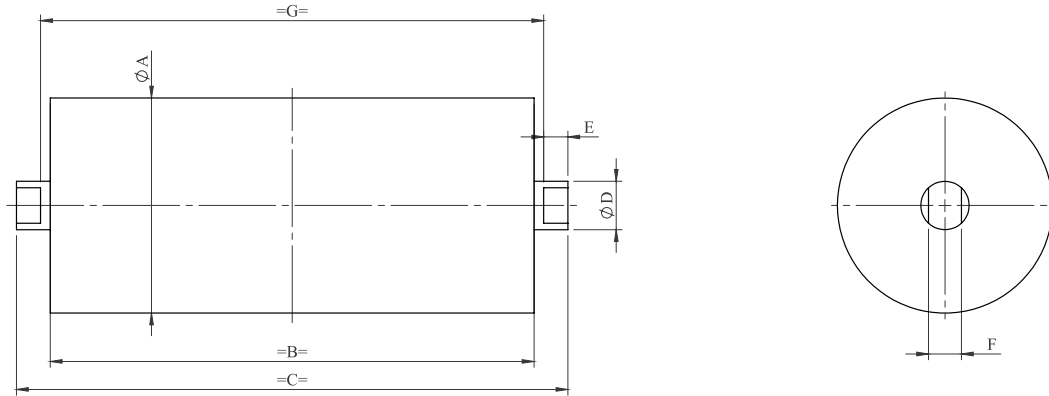
Designed for
conveying applications
in Aggregates,
Mining, Cement,
Power & Steel industries

Rollers

**Pulleys
(Drums)**

Brackets

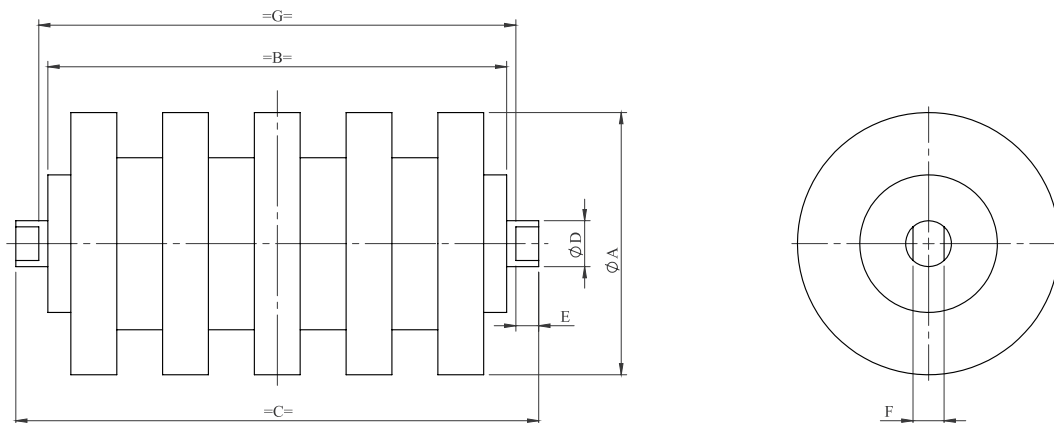
Rollers



(All units are in mm)

	Belt Width	A	B	C	D	E	F	G
Carrying Rollers	500	88.9	200	226	20	9	14	208
	650	88.9	250	276	20	9	14	258
	800	114.3	315	341	20	9	14	323
	900	114.3	330	356	20	9	14	338
	1000	114.3	380	406	20	9	14	388
	1200	114.3	465	497	25	12	18	473
	1400	114.3	530	562	25	12	18	538
Return Rollers	1600	114.3	600	632	25	12	18	608
	500	88.9	575	625	20	21	14	583
	650	88.9	725	775	20	21	14	733
	800	88.9	905	955	20	21	14	913
	900	88.9	1000	1070	20	21	14	1028
	1000	88.9	1100	1150	20	21	14	1108
	1200	88.9	1400	1448	20	20	14	1408
1400	114.3	1600	1648	25	20	18	1608	
1600	114.3	1800	1848	25	20	18	1808	

Impact Rollers

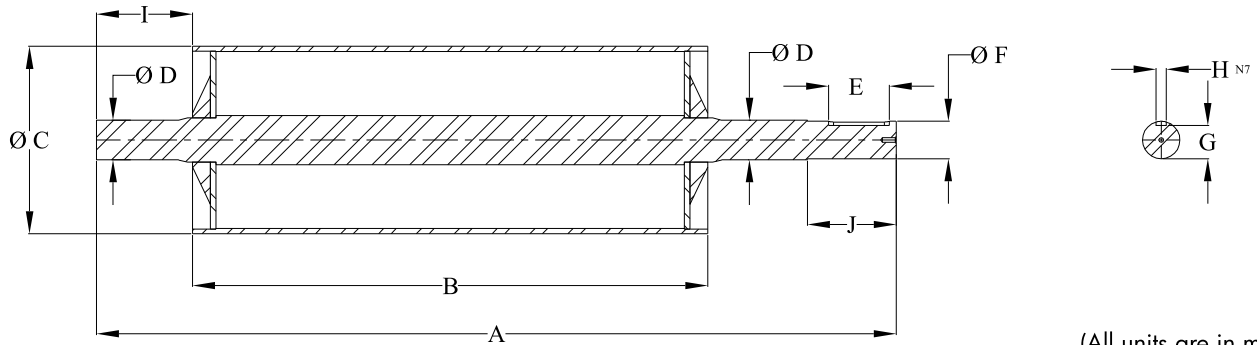


(All units are in mm)

	Belt Width	A	B	C	D	E	F	G
Impact Rollers	500	114.3	200	226	20	9	14	208
	650	114.3	250	276	20	9	14	258
	800	114.3	315	341	20	9	14	323
	900	114.3	330	356	20	9	14	338
	1000	114.3	380	406	20	9	14	388
	1200	114.3	465	497	25	12	18	473
	1400	133	530	562	25	12	18	538
	1600	133	600	632	25	12	18	608



Head Pulleys/Head Drum



(All units are in mm)

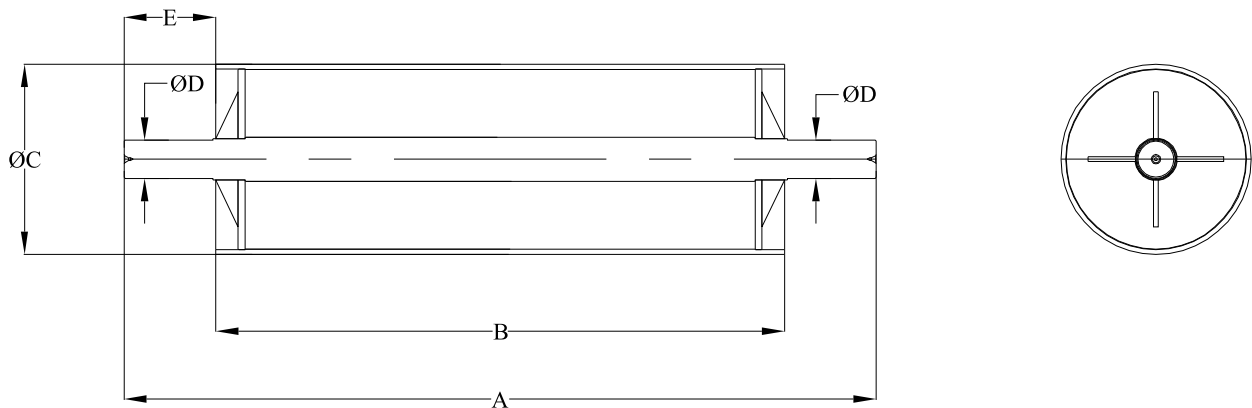
Head Pulleys / Drums	Belt Width	A	B	C	D	F	G	I	J
	500	1105	600	340	55	50	44.5	180	135
	650	1274	750	340	55	50	44.5	178.5	155
	800	1481	900	340	65	60	53	200	155
	900	1580	1000	340	65	60	53	175	165
	1000	1653	1100	420	65	60	53	187.5	170
	1200	1953	1400	420	65	60	53	191	171
	1400	2345	1600	520	65	60	53	185	171
	1600	2606	1800	520	65	60	53	197	171

E and J can be provided based on gear box dimensions.

C is included with rubber lagging.

Shaft mounting options available with Hub & Key and Tapper Lock and Welded.

Tail Pulleys/Tail Drum



(All units are in mm)

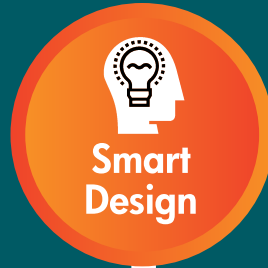
Tail Pulleys / Drums	Belt Width	A	B	C	D	E
	500	862	600	290	55	131
	650	1014	750	290	55	132
	800	1205	900	290	55	152.5
	900	1300	1000	290	65	150
	1000	1384	1100	340	65	142
	1200	1712	1400	340	65	156
	1400	1884	1600	420	65	140
	1600	2050	1800	420	65	120

Note: Any other model and size can be supplied based on customer requirement.

Performs effortlessly under Heavy Loading



Sturdy Construction



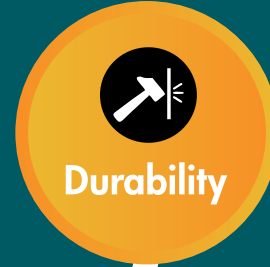
Smart Design

- Expels the Dirt & Water Centrifugally
- Ensures Dust Protection and longer Bearing Life

Reduces Belt Drag & Energy Consumption up to 15%



Energy Saving



Durability

- Powder coating Protects from Extreme Weather conditions
- Extends Idler life

OPEL Advantage



OPEL
The Power of Partnership

Oriental Plants & Equipments Pvt Ltd

SF.No. 663, Ravathur Main Road
Trichy Road, Coimbatore – 641 103
Tamilnadu, India.

Phone : +91 - 422 - 2687 396 / 2688 396 / 6586 396
Email : sales@opelequip.com. Web: www.opelequip.com

