



Shaft mounted Gear Boxes

For Belt-Conveyors

Specially designed
for Aggregates and
Mineral Processing
Industry

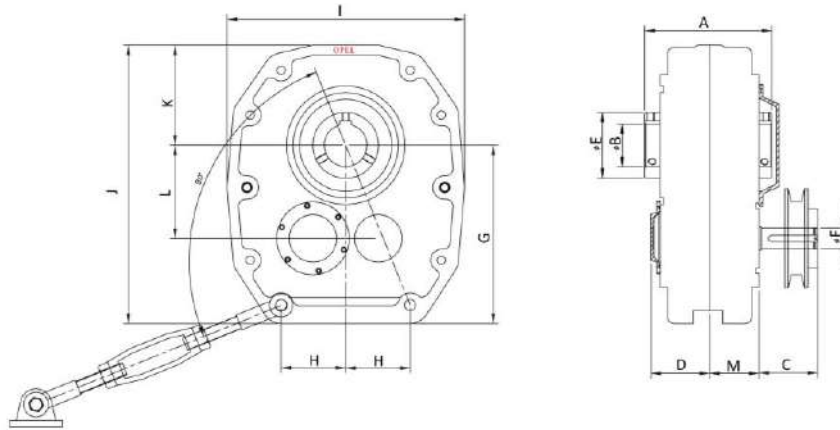
Economy
Efficiency
Endurance

Advantages

Features	Benefits
Engineered for dusty environment & heavy load applications with Helical Gears, Heavy duty bearings & Seals.	Hassle free operations and longer life.
Mounting Size matches with Popular brands	Easy to interchange with popular brands.
Gearbox directly mounted on the Shaft of the Drum pulley	No need for coupling or foundation bed.
Wide range of optional accessories available- Reducing Bush, Labyrinth Sealing, Backstops, Tapper Clamps	Versatile and can be can be customized to suite specific needs.
Available in wide range of Torque & Speed.	Wide range of applications like - Stone crushers Mining and other material handling applications.



Specification

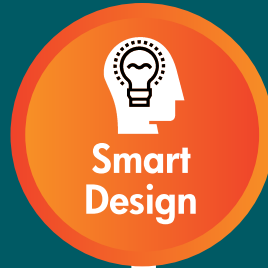


Model	Description	Torque (@ 70 RPM) Nm	Ratio* i	Power @ 70 RPM HP (kW)	Output shaft Ø mm	Keyway Size	Mass in kg
B-30	OPEL- DMSR-B-40	270	20	2.7 (2)	30	6 x 3.5 x 50	15
C-40	OPEL- DMSR-C-40	420	20	4 (3)	40	6 x 3.5 x 56	22
D-50	OPEL- DMSR-D-50	740	20	7.5 (5.5)	50	8 x 4 x 63	32
E-55	OPEL- DMSR-E-55	1100	20	11 (8)	55	8 x 4 x 70	45
F-65	OPEL- DMSR-F-65	1780	20	18 (13)	65	10 x 5 x 70	75
G-75	OPEL- DMSR-G-75	2960	20	30 (22)	75	12 x 5 x 90	95
H-85	OPEL- DMSR-85-85	4500	20	46 (34)	85	14 x 5.5 x 100	140
J-100	OPEL- DMSR-J-100	6500	20	63 (47)	100	16 x 6 x 100	230
S-120	OPEL- DMSR-S-120	11600	20	100 (76)	120	18 x 7 x 150	350
L-150	OPEL- DMSR-L-150	20460	20	200 (150)	150	18 x 7 175	720

* - All models are available with 13 Ratio is also available based on request

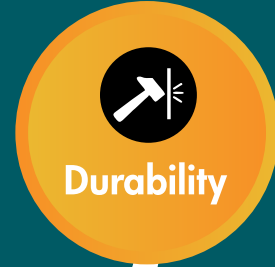
Model	Description	A	Ø B Keyed Bore	C	D	Ø E	F	G	H	I	J	K	L	M
B-30	OPEL- DMSR-B-40	134	40	63	59	55	19	131	55	185	225	80	75	52
C-40	OPEL- DMSR-C-40	142	50	72	65	65	22	155	60	220	270	95	90	55
D-50	OPEL- DMSR-D-50	152	55	77	68	75	25	188	75	260	325	120	110	61
E-55	OPEL- DMSR-E-55	170	65	85	76	85	28	221	90	280	370	130	125	66
F-65	OPEL- DMSR-F-65	189	75	90	87	100	32	242	98	360	430	158	140	75
G-75	OPEL- DMSR-G-75	215	85	105	110	110	42	282	110	370	485	180	155	86
H-85	OPEL- DMSR-85-85	245	100	115	115	130	48	330	90	440	561	195	190	95
J-100	OPEL- DMSR-J-100	260	120	135	120	150	55	425	100	545	702	255	255	105
S-120	OPEL- DMSR-S-120	305	150	170	154	160	60	517	90	622	804	288	267	122
L-150	OPEL- DMSR-L-150	400	150	195	200	200	65	668	240	710	1000	336	329	147

Performs effortlessly under Heavy Loading



- Expels the Dirt & Water Centrifugally
- Ensures Dust Protection and longer Bearing Life

Reduces Belt Drag & Energy Consumption up to 15%



- Powder coating Protects from Extreme Weather conditions
- Extends Idler life

OPEL Advantage



Oriental Plants & Equipments Pvt Ltd

SF.No. 663, Ravathur Main Road
Trichy Road, Coimbatore – 641 103
Tamilnadu, India.
Phone : +91 - 422 - 2687 396 / 2688 396 / 6586 396
Email : sales@opelequip.com. Web: www.opelequip.com

